



# Standard Test Method for Measurement of Rate of Absorption of Water by Hydraulic-Cement Concretes<sup>1</sup>

This standard is issued under the fixed designation C 1585; the number immediately following the designation indicates the year of original adoption or, in the case of revision, the year of last revision. A number in parentheses indicates the year of last reapproval. A superscript epsilon ( $\epsilon$ ) indicates an editorial change since the last revision or reapproval.

<sup>e1</sup> NOTE—A typo in Eq 1 was corrected editorially in December 2007.

## 1. Scope

1.1 This test method is used to determine the rate of absorption (sorpitivity) of water by hydraulic cement concrete by measuring the increase in the mass of a specimen resulting from absorption of water as a function of time when only one surface of the specimen is exposed to water. The exposed surface of the specimen is immersed in water and water ingress of unsaturated concrete dominated by capillary suction during initial contact with water.

1.2 The values stated in SI units are to be regarded as the standard.

1.3 *This standard does not purport to address all of the safety concerns, if any, associated with its use. It is the responsibility of the user of this standard to establish appropriate safety and health practices and determine the applicability of regulatory limitations prior to use.*

## 2. Referenced Documents

2.1 *ASTM Standards:*<sup>2</sup>

**C 31/C 31M** Practice for Making and Curing Concrete Test Specimens in the Field

**C 42/C 42M** Test Method for Obtaining and Testing Drilled Cores and Sawed Beams of Concrete

**C 125** Terminology Relating to Concrete and Concrete Aggregates

**C 192/C 192M** Practice for Making and Curing Concrete Test Specimens in the Laboratory

**C 642** Test Method for Density, Absorption, and Voids in Hardened Concrete

**C 1005** Specification for Reference Masses and Devices for Determining Mass and Volume for Use in the Physical Testing of Hydraulic Cements

<sup>1</sup> This test method is under the jurisdiction of ASTM Committee C09 on Concrete and Concrete Aggregates and is the direct responsibility of Subcommittee C09.66 on Concrete's Resistance to Fluid Penetration.

Current edition approved Feb. 1, 2004. Published March 2004.

<sup>2</sup> For referenced ASTM standards, visit the ASTM website, [www.astm.org](http://www.astm.org), or contact ASTM Customer Service at [service@astm.org](mailto:service@astm.org). For *Annual Book of ASTM Standards* volume information, refer to the standard's Document Summary page on the ASTM website.

## 3. Terminology

3.1 For definitions of terms used in this standard, refer to Terminology **C 125**.

## 4. Significance and Use

4.1 The performance of concrete subjected to many aggressive environments is a function, to a large extent, of the penetrability of the pore system. In unsaturated concrete, the rate of ingress of water or other liquids is largely controlled by absorption due to capillary rise. This test method is based on that developed by Hall<sup>3</sup> who called the phenomenon "water sorpitivity."

4.2 The water absorption of a concrete surface depends on many factors including: (a) concrete mixture proportions; (b) the presence of chemical admixtures and supplementary cementitious materials; (c) the composition and physical characteristics of the cementitious component and of the aggregates; (d) the entrained air content; (e) the type and duration of curing; (f) the degree of hydration or age; (g) the presence of microcracks; (h) the presence of surface treatments such as sealers or form oil; and (i) placement method including consolidation and finishing. Water absorption is also strongly affected by the moisture condition of the concrete at the time of testing.

4.3 This method is intended to determine the susceptibility of an unsaturated concrete to the penetration of water. In general, the rate of absorption of concrete at the surface differs from the rate of absorption of a sample taken from the interior. The exterior surface is often subjected to less than intended curing and is exposed to the most potentially adverse conditions. This test method is used to measure the water absorption rate of both the concrete surface and interior concrete. By drilling a core and cutting it transversely at selected depths, the absorption can be evaluated at different distances from the exposed surface. The core is drilled vertically or horizontally.

4.4 This test method differs from Test Method **C 642** in which the specimens are oven dried, immersed completely in

<sup>3</sup> Hall, C., "Water Sorpitivity of Mortars and Concretes: A Review," *Magazine of Concrete Research*, Vol. 41, No. 147, June 1989, pp. 51-61.

water at 21°C, and then boiled under water for 5 h. In this test method, only one surface is exposed to water at room temperature while the other surfaces are sealed simulating water absorption in a member that is in contact with water on one side only. Test Method C 642, on the other hand, is used to estimate the maximum amount of water that can be absorbed by a dry specimen and therefore provides a measure of the total, water permeable pore space.

## 5. Apparatus

5.1 *Pan*, a watertight polyethylene or other corrosion-resistant pan large enough to accommodate the test specimens with the surfaces to be tested exposed to water.

5.2 *Support Device*, rods, pins, or other devices, which are made of materials resistant to corrosion by water or alkaline solutions, and which allow free access of water to the exposed surface of the specimen during testing. Alternatively, the specimens can be supported on several layers of blotting paper or filter papers with a total thickness of at least 1 mm.

5.3 *Top-pan Balance*, complying with Specification C 1005 and with sufficient capacity for the test specimens and accurate to at least  $\pm 0.01$  g.

5.4 *Timing Device*, stop watch or other suitable timing device accurate to  $\pm 1$  s.

5.5 *Paper Towel or Cloth*, for wiping excess water from specimen surfaces.

5.6 *Water-Cooled Saw*, with diamond impregnated blade to cut test specimens from larger samples.

5.7 *Environmental Chamber*, a chamber allowing for air circulation and able to maintain a temperature of  $50 \pm 2^\circ\text{C}$  and a relative humidity at  $80 \pm 3\%$ . Alternatively, an oven able to maintain a temperature of  $50 \pm 2^\circ\text{C}$  and a dessicator large enough to contain the specimens to be tested is permitted. The relative humidity (RH) is controlled in the dessicator at  $80 \pm 0.5\%$  by a saturated solution of potassium bromide. The solubility of potassium bromide is 80.2 g/100 g of water at 50°C. The solution shall be maintained at the saturation point for the duration of the test. The presence of visible crystals in the solution provides acceptable evidence of saturation.

5.8 *Polyethylene Storage Containers*, with sealable lids, large enough to contain at least one test specimen but not larger than 5 times the specimen volume.

5.9 *Caliper*, to measure the specimen dimensions to the nearest 0.1 mm.

## 6. Reagents and Materials

6.1 *Potassium Bromide, Reagent Grade*, required if the oven and dessicator system described in 5.7 is used.

6.2 *Sealing Material*, strips of low permeability adhesive sheets, epoxy paint, vinyl electrician's tape, duct tape, or aluminium tape. The material shall not require a curing time longer than 10 minutes.

6.3 *Plastic Bag or Sheeting*, any plastic bag or sheeting that could be attached to the specimen to control evaporation from the surface not exposed to water. An elastic band is required to keep the bag or sheeting in place during the measurements.

## 7. Test Specimens

7.1 The standard test specimen is a  $100 \pm 6$  mm diameter disc, with a length of  $50 \pm 3$  mm. Specimens are obtained from either molded cylinders according to Practices C 31/C 31M or C 192/C 192M or drilled cores according to Test Method C 42/C 42M. The cross sectional area of a specimen shall not vary more than 1 % from the top to the bottom of the specimen. When cores are taken, they should be marked (see Note 1) so that the surface to be tested relative to the original location in the structure is clearly indicated.

NOTE 1—The surface to be exposed during testing shall not be marked or otherwise disturbed in such a manner as may modify the absorption rate of the specimen.

7.2 The average test results on at least 2 specimens (Note 2) shall constitute the test result. The test surfaces shall be at the same distance from the original exposed surface of the concrete.

NOTE 2—Concrete is not a homogeneous material. Also, an exterior surface of a concrete specimen seldom has the same porosity as the interior concrete. Therefore, replicate measurements are taken on specimens from the same depth to reduce the scatter of the data.

## 8. Sample Conditioning

8.1 Place test specimens in the environmental chamber at a temperature of  $50 \pm 2^\circ\text{C}$  and RH of  $80 \pm 3\%$  for 3 days. Alternatively, place test specimens in a dessicator inside an oven at a temperature of  $50 \pm 2^\circ\text{C}$  for 3 days. If the dessicator is used, control the relative humidity in the dessicator with a saturated solution of potassium bromide (see 5.7), but do not allow test specimens to contact the solution.

NOTE 3—To control the RH using the potassium bromide solution, the solution should be placed in the bottom of the dessicator, to ensure the largest surface of evaporation possible.

8.2 After the 3 days, place each specimen inside a sealable container (as defined in 5.8). Use a separate container for each specimen. Precautions must be taken to allow free flow of air around the specimen by ensuring minimal contact of the specimen with the walls of the container.

8.3 Store the container at  $23 \pm 2^\circ\text{C}$  for at least 15 days before the start of the absorption procedure.

NOTE 4—Storage in the sealed container for at least 15 days results in equilibration of the moisture distribution within the test specimens and has been found<sup>4</sup> to provide internal relative humidities of 50 to 70 %. This is similar to the relative humidities found near the surface in some field structures.<sup>5,6</sup>

## 9. Procedure

9.1 Remove the specimen from the storage container and record the mass of the conditioned specimen to the nearest 0.01 g before sealing of side surfaces.

<sup>4</sup> Bentz D. P., Ehlen M. A., Ferraris C. F., and Winpigler J. A., "Service Life Prediction Based on Sorptivity for Highway Concrete Exposed to Sulfate Attack and Freeze-Thaw Conditions," FHWA-RD-01-162, 2001.

<sup>5</sup> DeSouza S. J., Hooton R. D., and Bickley J. A., "Evaluation of Laboratory Drying Procedures Relevant to Field Conditions for Concrete Sorptivity Measurements," *Cement Concrete Aggr* 19: (2), Dec 1997, pp. 59-63.

<sup>6</sup> DeSouza S. J., Hooton R. D., and Bickley J. A., "A Field Test for Evaluating High Performance Concrete Covercrete Quality," *Can J Civil Eng*, 25: (3), Jun 1998, pp. 551-556.

9.2 Measure at least four diameters of the specimen at the surface to be exposed to water. Measure the diameters to the nearest 0.1 mm and calculate the average diameter to the nearest 0.1 mm.

9.3 Seal the side surface of each specimen with a suitable sealing material. Seal the end of the specimen that will not be exposed to water using a loosely attached plastic sheet (see 6.2). The plastic sheet can be secured using an elastic band or other equivalent system (see Fig. 1).

9.4 Use the procedure below to determine water absorption as a function of time. Conduct the absorption procedure at  $23 \pm 2^\circ\text{C}$  with tap water conditioned to the same temperature.

9.5 Absorption Procedure:

9.5.1 Measure the mass of the sealed specimen to the nearest 0.01 g and record it as the initial mass for water absorption calculations.

9.5.2 Place the support device at the bottom of the pan and fill the pan with tap water so that the water level is 1 to 3 mm above the top of the support device. Maintain the water level 1 to 3 mm above the top of the support device for the duration of the tests.

NOTE 5—One method for keeping the water level constant is to install a water-filled bottle upside down such that the bottle opening is in contact with the water at the desired level.

9.5.3 Start the timing device and immediately place the test surface of the specimen on the support device (see Fig. 1). Record the time and date of initial contact with water.

9.5.4 Record the mass at the intervals shown in Table 1 after first contact with water. Using the procedure in 9.5.5, the first point shall be at  $60 \pm 2$  s and the second point at  $5 \text{ min} \pm 10$  s. Subsequent measurements shall be within  $\pm 2$  min of 10 min, 20 min, 30 min, and 60 min. The actual time shall be recorded to within  $\pm 10$  s. Continue the measurements every hour,  $\pm 5$  min, up to 6 h, from the first contact of the specimen with water and record the time within  $\pm 1$  min. After the initial 6 h, take measurements once a day up to 3 days, followed by 3 measurements at least 24 h apart during days 4 to 7; take a

final measurement that is at least 24 h after the measurement at 7 days. The actual time of measurements shall be recorded within  $\pm 1$  min. This will result in seven data points for contact time during days 2 through 8. Table 1 gives the target times of measurements and the tolerances for the times.

9.5.5 For each mass determination, remove the test specimen from the pan, stop the timing device if the contact time is less than 10 min, and blot off any surface water with a dampened paper towel or cloth. After blotting to remove excess water, invert the specimen so that the wet surface does not come in contact with the balance pan (to avoid having to dry the balance pan). Within 15 s of removal from the pan, measure the mass to the nearest 0.01 g. Immediately replace the specimen on the support device and restart the timing device.

10. Calculations

10.1 The absorption,  $I$ , is the change in mass divided by the product of the cross-sectional area of the test specimen and the density of water. For the purpose of this test, the temperature dependence of the density of water is neglected and a value of  $0.001 \text{ g/mm}^3$  is used. The units of  $I$  are mm.

$$I = \frac{m_t}{a^*d}, \tag{1}$$

where:

- $I$  = the absorption,
- $m_t$  = the change in specimen mass in grams, at the time  $t$ ,
- $a$  = the exposed area of the specimen, in  $\text{mm}^2$ , and
- $d$  = the density of the water in  $\text{g/mm}^3$ .

10.2 The initial rate of water absorption ( $\text{mm/s}^{1/2}$ ) is defined as the slope of the line that is the best fit to  $I$  plotted against the square root of time ( $\text{s}^{1/2}$ ). Obtain this slope by using least-squares, linear regression analysis of the plot of  $I$  versus time<sup>1/2</sup>. For the regression analysis, use all the points from 1 min to 6 h, excluding points for times after the plot shows a clear change of slope. If the data between 1 min and 6 h do not follow a linear relationship (a correlation coefficient of less

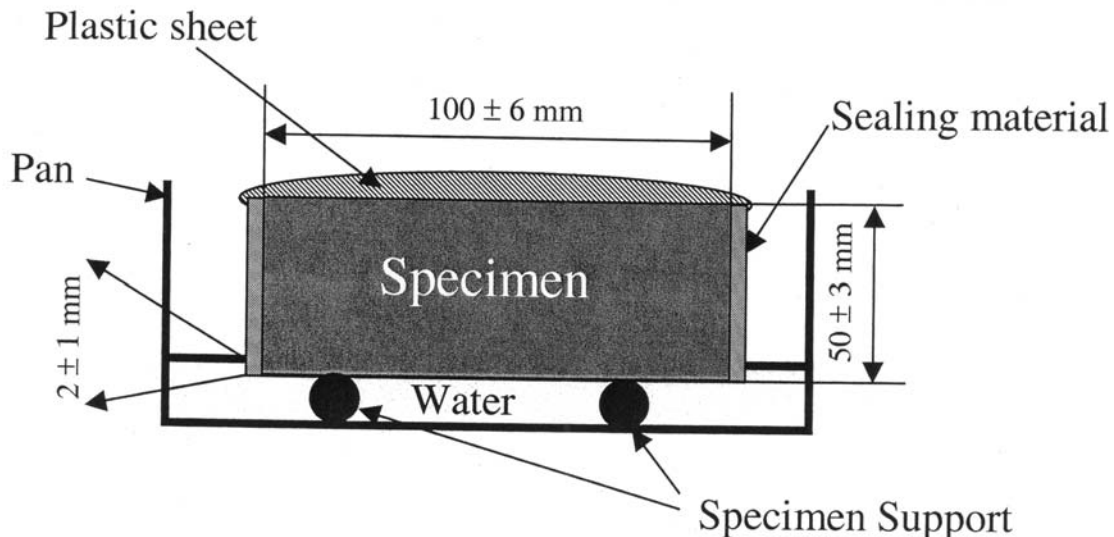


FIG. 1 Schematic of the Procedure

**TABLE 1 Times and Tolernaces for the Measurements Schedule**

Time	60 s	5 min	10 min	20 min	30 min	60 min	Every hour up to 6 h	Once a day up to 3 days	Day 4 to 7 3 measurements 24 h apart	Day 7 to 9 1 (one) measurement
Tolerance	2 s	10 s	2 min	2 min	2 min	2 min	5 min	2 h	2 h	2 h

than 0.98) and show a systematic curvature, the initial rate of absorption cannot be determined.

NOTE 6—Appendix X1 gives an example of absorption data and the results of regression analysis.

10.3 The secondary rate of water absorption ( $\text{mm/s}^{1/2}$ ) is defined as the slope of the line that is the best fit to  $I$  plotted against the square root of time ( $\text{s}^{1/2}$ ) using all the points from 1  $d$  to 7  $d$ . Use least-square linear regression to determine the slope. If the data between 1  $d$  and 7  $d$  do not follow a linear relationship (a correlation coefficient of less than 0.98) and show a systematic curvature, the secondary rate of water absorption cannot be determined.

## 11. Report

11.1 Report the following:

- 11.1.1 Date when concrete was sampled or cast,
- 11.1.2 Source of sample,
- 11.1.3 Relevant background information on sample such as mixture proportions, curing history, type of finishing, and age, if available,
- 11.1.4 Dimensions of specimen before sealing,
- 11.1.5 Mass of specimen before and after sealing,

11.1.6 A plot of absorption,  $I$ , in mm versus square root of time in  $\text{s}^{1/2}$ ,

11.1.7 The average initial rate of water absorption calculated to the nearest  $0.1 \times 10^{-4} \text{ mm/s}^{1/2}$  and the individual initial absorption rates for the two or more specimens, and

11.1.8 The average secondary rate of water absorption calculated to the nearest  $0.1 \times 10^{-4} \text{ mm/s}^{1/2}$  and the individual absorption rates of the two or more specimens tested.

## 12. Precision and Bias

12.1 *Precision*—The repeatability coefficient of variation has been determined to be 6.0 % in preliminary measurements for the absorption as measured by this test method for a single laboratory and single operator. An interlaboratory program is being organized to develop the repeatability and reproducibility values.

12.2 *Bias*—The test method has no bias because the rate of water absorption determined can only be defined in terms of the test method.

## 13. Keywords

13.1 concrete; initial rate of water absorption; mortar; rate of absorption; secondary rate of water absorption

## APPENDIX

### (Nonmandatory Information)

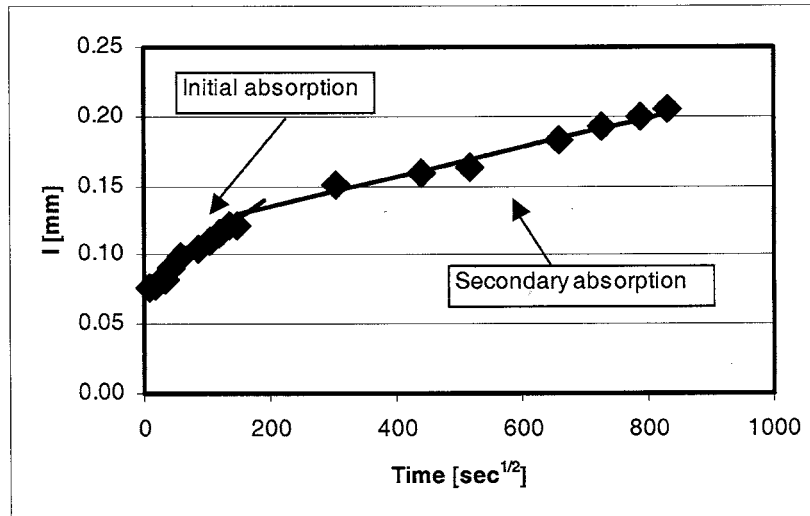
#### X1. EXAMPLE RATE OF WATER ABSORPTION TEST

TABLE X1.1 Example of Data Collected and Calculations

Test Time		$\sqrt{\text{Time}}$ (s <sup>1/2</sup> )	Mass (g)	$\Delta\text{Mass}$ (g)	$\Delta\text{Mass}/\text{area}/\text{density}$ of water = <i>l</i> (mm)
Days	s				
	0	0	761.83	0.00	0.0000
	60	8	762.45	0.62	0.0765
	300	17	762.46	0.63	0.0777
	600	24	762.48	0.65	0.0802
	1200	35	762.50	0.67	0.0826
	1800	42	762.57	0.74	0.0913
	3600	60	762.63	0.80	0.0987
	7200	85	762.68	0.85	0.1048
	10800	104	762.73	0.90	0.1110
	14400	120	762.77	0.94	0.1159
	18000	134	762.81	0.98	0.1209
	21600	147	762.82	0.99	0.1221
1	92220	304	763.05	1.22	0.1505
2	193200	440	763.12	1.29	0.1591
3	268500	518	763.15	1.32	0.1628
5	432000	657	763.31	1.48	0.1826
6	527580	726	763.39	1.56	0.1924
7	622200	789	763.45	1.62	0.1998
8	691200	831	763.5	1.67	0.2060

Cast Date: 3/2/99  
 Concrete Mixture: Standard mixture I  
 Age at coring: Unknown  
 Mass after sealing specimen: 761.8 g  
 Exposed Area: 8107 mm<sup>2</sup>

Test Date: 3/14/00



Calculations:

Initial Absorption:

$$I = S_i \sqrt{t} + b \text{ (points measured up to 6 h are used)}$$

The initial rate of absorption is:  $S_i = 3.5 \times 10^{-4} \text{ mm}/\sqrt{\text{s}}$   $r = 0.99$

Secondary Absorption:

$$I = S_s \sqrt{t} + b \text{ (points measured after the first day are used)}$$

The secondary rate of absorption is:  $S_s = 1.1 \times 10^{-4} \text{ mm}/\sqrt{\text{s}}$

FIG. X1.1 Example of Plot of The Data Shown in Table X1.1

*ASTM International takes no position respecting the validity of any patent rights asserted in connection with any item mentioned in this standard. Users of this standard are expressly advised that determination of the validity of any such patent rights, and the risk of infringement of such rights, are entirely their own responsibility.*

*This standard is subject to revision at any time by the responsible technical committee and must be reviewed every five years and if not revised, either reapproved or withdrawn. Your comments are invited either for revision of this standard or for additional standards and should be addressed to ASTM International Headquarters. Your comments will receive careful consideration at a meeting of the responsible technical committee, which you may attend. If you feel that your comments have not received a fair hearing you should make your views known to the ASTM Committee on Standards, at the address shown below.*

*This standard is copyrighted by ASTM International, 100 Barr Harbor Drive, PO Box C700, West Conshohocken, PA 19428-2959, United States. Individual reprints (single or multiple copies) of this standard may be obtained by contacting ASTM at the above address or at 610-832-9585 (phone), 610-832-9555 (fax), or [service@astm.org](mailto:service@astm.org) (e-mail); or through the ASTM website ([www.astm.org](http://www.astm.org)).*