



Standard Specification for Reinforced Concrete Arch Culvert, Storm Drain, and Sewer Pipe (Metric)¹

This standard is issued under the fixed designation C 506M; the number immediately following the designation indicates the year of original adoption or, in the case of revision, the year of last revision. A number in parentheses indicates the year of last reapproval. A superscript epsilon (ϵ) indicates an editorial change since the last revision or reapproval.

This standard has been approved for use by agencies of the Department of Defense.

1. Scope

1.1 This specification covers reinforced arch-shaped concrete pipe to be used for the conveyance of sewage, industrial wastes, storm water, and for the construction of culverts.

1.2 This specification is the SI companion to Specification C 506.

NOTE 1—This specification is a manufacturing and purchase specification only, and does not include requirements for bedding, backfill, or the relationship between field load condition and the strength classification of pipe. However, experience has shown that the successful performance of this product depends upon the proper selection of the class of pipe, type of bedding and backfill, and care that the installation conforms to the construction specifications. The owner of the reinforced concrete pipe specified herein is cautioned that he must correlate the field requirements with the class of pipe specified and provide inspection at the construction site.

2. Referenced Documents

2.1 ASTM Standards:²

- A 36/A 36M Specification for Carbon Structural Steel
- A 82/A 82M Specification for Steel Wire, Plain, for Concrete Reinforcement
- A 185/A 185M Specification for Steel Welded Wire Reinforcement, Plain, for Concrete
- A 496/A 496M Specification for Steel Wire, Deformed, for Concrete Reinforcement
- A 497/A 497M Specification for Steel Welded Wire Reinforcement, Deformed, for Concrete
- A 615/A 615M Specification for Deformed and Plain Carbon-Steel Bars for Concrete Reinforcement

- A 706/A 706M Specification for Low-Alloy Steel Deformed and Plain Bars for Concrete Reinforcement
- C 33 Specification for Concrete Aggregates
- C 150 Specification for Portland Cement
- C 260 Specification for Air-Entraining Admixtures for Concrete
- C 309 Specification for Liquid Membrane-Forming Compounds for Curing Concrete
- C 494/C 494M Specification for Chemical Admixtures for Concrete
- C 497M Test Methods for Concrete Pipe, Manhole Sections, or Tile [Metric]
- C 595 Specification for Blended Hydraulic Cements
- C 618 Specification for Coal Fly Ash and Raw or Calcined Natural Pozzolan for Use in Concrete
- C 822 Terminology Relating to Concrete Pipe and Related Products
- C 989 Specification for Ground Granulated Blast-Furnace Slag for Use in Concrete and Mortars
- C 1017/C 1017M Specification for Chemical Admixtures for Use in Producing Flowing Concrete
- C 1116 Specification for Fiber-Reinforced Concrete and Shotcrete

3. Terminology

3.1 *Definitions*—For definitions of terms relating to concrete pipe, see Terminology C 822.

4. Classification

4.1 Pipe manufactured according to this specification shall be of three classes identified as Class A-II, A-III, and A-IV. The strength requirements are prescribed in Table 1.

5. Basis of Acceptance

5.1 Unless otherwise designated by the owner at the time of, or before placing an order, there are two separate and alternative bases of acceptance. Independent of the method of acceptance, the pipe shall be designed to meet both the 0.01-in. crack and ultimate strength requirements.

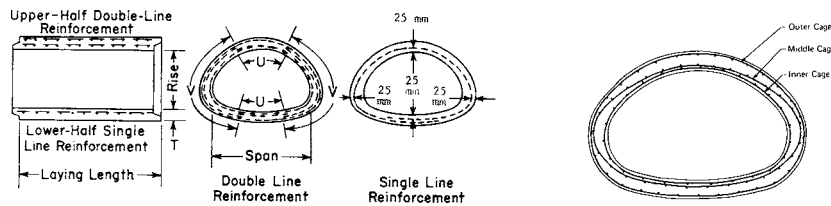
¹ This specification is under the jurisdiction of ASTM Committee C13 on Concrete Pipe and is the direct responsibility of Subcommittee C13.02 on Reinforced Sewer and Culvert Pipe.

Current edition approved April 15, 2008. Published May 2008. Originally approved in 1980. Last previous edition approved in 2008 as C 506M – 08.

² For referenced ASTM standards, visit the ASTM website, www.astm.org, or contact ASTM Customer Service at service@astm.org. For *Annual Book of ASTM Standards* volume information, refer to the standard's Document Summary page on the ASTM website.

TABLE 1 Strength Requirements for Reinforced Concrete Pipe^A

Approximate Equivalent Round Size, mm	T, mm	Minimum Rise, mm	Minimum Span, mm	Double Line Reinforcement ^C																							
				$f'c^B$ MPa						Continuous Basic Reinforcement = A_s^D									Additional Reinforcement = A_s^D						Single Line Reinforcement		
				Class			Inner Cage			Outer Cage			"U" (Inner Cage)			"V" (Outer Cage)											
				A-II	A-III	A-IV	A-II	A-III	A-IV	A-II	A-III	A-IV	A-II	A-III	A-IV	Dimension, mm	A-II	A-III	A-IV	Dimension, mm	A-II	A-III	A-IV				
375	57	280	460	27.6	27.6	27.6	1.7	2.5	3.6					
450	63	345	560	27.6	27.6	27.6	2.3	3.0	5.5					
525	69	395	660	27.6	27.6	27.6	2.8	3.6	6.1					
600	75	460	725	27.6	27.6	27.6	660	735	3.4	4.6	6.8					
750	88	570	920	27.6	27.6	27.6	1.9	2.5	3.8	1.5	1.9	3.0	760	1.9	2.5	3.8	865	1.5	1.9	2.8	3.8	5.1	7.6				
900	100	675	1110	27.6	27.6	27.6	2.3	3.2	4.6	1.9	2.5	3.6	865	2.3	3.2	4.6	990	1.9	2.5	3.4	4.6	6.3	9.3				
1050	113	795	1300	27.6	27.6	27.6	2.8	3.8	5.7	2.1	3.0	4.4	1065	2.8	3.8	5.7	1090	2.1	3.0	4.6	5.5	7.6	11.4				
1200	125	915	1485	27.6	27.6	...	3.2	4.6	...	2.5	3.6	...	1220	3.2	4.6	...	1245	2.5	3.6	...	6.3	9.3	...				
1350	138	1015	1650	27.6	27.6	...	3.8	5.1	...	3.0	4.0	...	1320	3.8	5.1	...	1395	3.0	4.0	...	7.6	10.2	...				
1500	150	1145	1855	27.6	27.6	...	4.4	5.9	...	3.6	4.6	...	1525	4.4	5.9	...	1700	3.6	4.6	...	8.9	11.8	...				
1800	175	1370	2235	27.6	34.5	...	5.5	7.6	...	4.2	5.9	...	1725	5.5	7.6	...	1955	4.2	5.9	...	11.0	15.2	...				
2100	200	1575	2590	27.6	34.5	...	6.8	9.3	...	5.1	7.2	6.8	9.3	5.1	7.2	...	13.5	18.6	...				
2250	213	1830	2920				
2400	225	1960	3100				
2700	250	2215	3505				
3000	275	2460	3910				
3300	250	2705	4285				



D-Loads for 3-Edge-Bearing Method		
Class	0.3-mm Crack	Ultimate
A-II	50.0	75.0
A-III	65.0	100.0
A-IV	100.0	150.0

Note—Test load in newtons per linear metre equals D-load × inside span in millimetres.

^A For modified or special designs, see 7.3.

^B $f'c$ = minimum compressive strength of concrete in megapascals.

^C As an alternative to designs requiring double line reinforcement, the reinforcement may be positioned and proportioned so that the total reinforcement of the inner cage plus the middle cage shall not be less than that specified for the inner cage continuous basic reinforcement, and the additional reinforcement "U" and the total reinforcement of the outer cage plus the middle cage shall not be less than that specified for the outer cage continuous basic reinforcement and the additional reinforcement "V."

^D A_s = circumferential steel area in square millimetres per longitudinal centimetre of pipe barrel in each continuous basic cage and additional cages in area denoted "U" and "V." Dimensions "U" and "V" are measured on the center line of the culvert wall.

5.1.1 *Acceptance on Basis of Plant Load Bearing Tests, Material Tests, and Inspection of Manufactured Pipe for Visual Defects and Imperfections*—Acceptability of the pipe in all diameters and classes produced in accordance with 7.1 or 7.2 shall be determined by the results of the three-edge-bearing tests as defined in 11.3.1; by such material tests as are required in accordance with 6.2, 6.3, 6.5, and 6.6, by an absorption test of the concrete from the wall of the pipe for each mix design that is used on an order; and by visual inspection of the finished pipe to determine its conformance with the accepted design and its freedom from defects.

5.1.2 *Acceptance on the Basis of Material Test and Inspection of Manufactured Pipe for Defects and Imperfections*—Acceptability of the pipe in all diameters and classes produced in accordance with 7.1 or 7.2 shall be determined by the results of such material tests as are required in accordance with 6.2, 6.3, 6.5, and 6.6; by crushing tests on concrete cores or cured

concrete cylinders; by an absorption test of the concrete from the wall of the pipe for each mix design that is used on an order; and by inspection of the finished pipe, including amount and placement of reinforcement, to determine its conformance with the accepted design and its freedom from defects.

5.1.3 When agreed upon by the owner and the manufacturer, any portion or any combination of the tests itemized in 5.1.1 or 5.1.2 may form the basis of acceptance.

5.2 *Age for Acceptance*—Pipe shall be considered ready for acceptance when they conform to the requirements as indicated by the specified tests.

6. Materials

6.1 *Reinforced Concrete*—The reinforced concrete shall consist of cementitious materials, mineral aggregates, and water, in which steel has been embedded in such a manner that the steel and concrete act together.

6.2 Cementitious Materials:

6.2.1 *Cement*—Cement shall conform to the requirements of Specification **C 150**, or shall be portland blast-furnace slag cement, or slag modified portland cement, or portland-pozzolan cement conforming to the requirements of Specification **C 595**, except that the pozzolan constituent in the Type IP portland pozzolan cement shall be fly ash and shall not exceed 25 % by weight.

6.2.2 *Ground Granulated Blast-Furnace Slag (GGBFS)*—GGBFS shall conform to the requirements of Grade 100 or 120 of Specification **C 989**.

6.2.3 *Fly Ash*—Fly ash shall conform to the requirements of Class F or Class C of Specification **C 618**.

6.2.4 *Allowable Combinations of Cementitious Materials*—The combination of cementitious materials used in the concrete shall be one of the following:

- 6.2.4.1 Portland cement only,
- 6.2.4.2 Portland blast furnace slag cement only,
- 6.2.4.3 Slag modified portland cement only,
- 6.2.4.4 Portland pozzolan cement only,
- 6.2.4.5 A combination of portland cement and ground granulated blast-furnace slag,
- 6.2.4.6 A combination of portland cement and fly ash, or
- 6.2.4.7 A combination of portland cement, ground granulated blast-furnace slag (not to exceed 25 % of the total cementitious weight) and fly ash (not to exceed 25 % of the total cementitious weight).

6.3 *Aggregates*—Aggregates shall conform to Specification **C 33** except that the requirement for gradation shall not apply.

6.4 *Admixtures and Blends*—The following admixtures and blends are allowable:

- 6.4.1 Air-entraining admixture conforming to Specification **C 260**;
- 6.4.2 Chemical admixture conforming to Specification **C 494/C 494M**;
- 6.4.3 Chemical admixture for use in producing flowing concrete conforming to Specification **C 1017/C 1017M**; and
- 6.4.4 Chemical admixture or blend approved by the owner.

6.5 *Steel Reinforcement*—Reinforcement shall consist of wire conforming to Specification **A 82/A 82M** or Specification **A 496/A 496M**; or of wire reinforcement conforming to Specification **A 185/A 185M** or Specification **A 497/A 497M**; or of bars conforming to Specification **A 36/A 36M**, Specification **A 615/A 615M** Grade 40 or 60, or Specification **A 706/A 706M** Grade 60.

6.6 *Synthetic Fibers*—Collated fibrillated virgin polypropylene fibers may be used, at the manufacturer's option, in concrete pipe as a nonstructural manufacturing material. Only Type III synthetic fibers designed and manufactured specifically for use in concrete and conforming to the requirements of Specification **C 1116** shall be accepted.

7. Design

7.1 *Size and Dimensions*—The standard sizes of arch pipe are listed in **Table 1**. The internal dimensions for each standard size shall be as defined in **Fig. 1**, subject to the permissible variations of Section **12**.

7.2 *Design Tables*—The wall thickness, compressive strength of concrete, and the area of circumferential reinforcement

shall be as prescribed in **Table 1**, subject to the provisions of **7.3**, **11.4**, and Section **12**.

7.2.1 Footnotes to the tables herein are intended to be amplifications of the tabulated requirements and are to be considered applicable and binding as if they were contained in the body of the specification.

7.3 Modified and Special Designs:

7.3.1 If permitted by the owner, the manufacturer may request approval by the owner of modified designs that differ from the designs in this Section **7** or special designs for sizes and loads beyond those shown in **Table 1**, or special designs for pipe sizes that do not have steel reinforcement areas shown in **Table 1**.

7.3.2 Such modified or special designs shall be based on rational or empirical evaluations of the ultimate strength and cracking behavior of pipe and shall fully describe to the owner any deviations from the requirements of this Section **7**. The descriptions of modified or special designs shall include the wall thickness, the concrete strength, and the area, type, placement, number of layers, and strength of the steel reinforcement.

7.3.3 The manufacturer shall submit to the owner proof of the adequacy of the proposed modified or special design. Such proof may comprise the submission of certified three-edge-bearing tests already made, which are acceptable to the owner or, if such three-edge-bearing tests are not available or acceptable, the manufacturer may be required to perform proof tests on sizes and classes selected by the owner to demonstrate the adequacy of the proposed design.

7.3.4 Such pipe must meet all of the test and performance requirements specified by the owner in accordance with Section **5**.

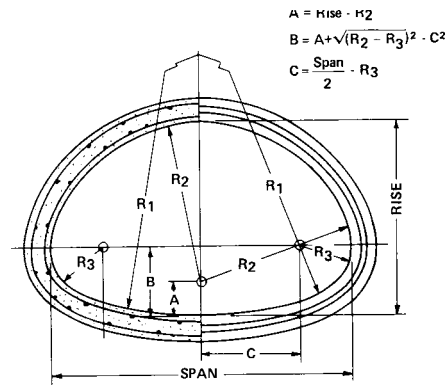
7.4 *Area*—In this specification, when the word area is not described by adjectives, such as cross-sectional or single wire, it shall be understood to be the cross-sectional area of reinforcement per unit lengths of pipe.

8. Reinforcement

8.1 *Circumferential Reinforcement*—A line of circumferential reinforcement for any given total area may be composed of two layers for pipe with wall thicknesses of less than 180 mm or three layers for pipe with wall thicknesses of 180 mm or greater. The layers shall not be separated by more than the thickness of one longitudinal plus 6 mm. The multiple layers shall be fastened together to form a single cage. All other specification requirements such as laps, welds, and tolerances of placement in the wall of the pipe, etc., shall apply to this method of fabricating a line of reinforcement.

8.1.1 Where one line of reinforcement is used, it shall be placed so that the cover of the concrete over the circumferential reinforcement at the vertical and horizontal diameters of the pipe is 25 mm from the inside and outside surfaces of the pipe, except for wall thicknesses less than 62 mm, the protective cover of the concrete over the circumferential reinforcement in the wall of the pipe shall be 18 mm.

8.1.2 Where two lines of reinforcement of arch shape corresponding to the contour of the pipe are used, each line shall be so placed that the covering of concrete over the reinforcement is 25 mm.



Approximate Equivalent Round Size, mm	Water Area, m ²	Rise, mm	Span, mm	A, mm	B, mm	C, mm	R ₁ , mm	R ₂ , mm	R ₃ , mm
375	0.10	280	460	10	121	128	580	270	102
450	0.15	345	560	-5	153	145	700	350	135
525	0.20	395	660	20	158	195	900	375	135
600	0.26	460	725	90	153	248	1035	370	115
750	0.41	570	920	95	194	305	1300	475	155
900	0.59	675	1110	105	218	395	1575	570	160
1050	0.82	795	1300	130	258	460	1855	665	190
1200	1.06	915	1485	155	297	522	2135	760	220
1350	1.33	1015	1650	170	330	575	2350	850	250
1500	1.64	1145	1855	190	373	642	2670	955	285
1800	2.38	1370	2235	225	428	798	3200	1145	320
2100	3.21	1575	2590	255	475	940	4130	1320	355
2250	4.13	1830	2920	330	604	970	4650	1500	490
2400	4.80	1960	3100	385	616	1040	5535	1575	510
2700	6.13	2215	3505	435	681	1182	6835	1780	570
3000	7.60	2460	3910	480	740	1345	7655	1980	610
3300	9.21	2705	4285	530	835	1458	8355	2175	685

FIG. 1 Cross-Sectional Shape of Arch Pipe

8.1.3 The location of the reinforcement shall be subject to the permissible variations in dimensions given in 12.5. Requirements for placement and protective covering of the concrete from the inner or outer surface of the pipe do not apply to that portion of a cage which is flared so as to extend into the bell or reduced in diameter so as to extend into the spigot.

8.1.4 The spacing center to center of circumferential reinforcement in a cage shall not exceed 100 mm for pipe up to and including pipe having a 100-mm wall thickness nor exceed the wall thickness for larger pipe, and shall in no case exceed 150 mm.

8.1.5 The continuity of the circumferential reinforcing steel shall not be destroyed during the manufacture of the pipe, except that when agreed upon by the owner, lift eyes or holes may be provided in each pipe for the purpose of handling.

8.1.6 If splices are not welded, the reinforcement shall be lapped not less than 20 diameters for deformed bars and deformed cold-worked wire, and 40 diameters for plain bars and cold-drawn wire. In addition, where lapped cages of welded-wire fabric are used without welding, the lap shall contain a longitudinal wire.

8.1.6.1 When splices are welded and are not lapped to the minimum requirements in 8.1.6, pull tests of representative

specimens shall develop at least 50 % of the minimum specified strength of the steel and there shall be a minimum lap of 50 mm. For butt-welded splices in bars or wire, permitted only with helically wound cages, pull tests of representative specimens shall develop at least 75 % of the minimum specified strength of the steel.

8.2 *Longitudinal Reinforcement*—Each line of circumferential reinforcement shall be assembled into a cage that shall contain sufficient longitudinal bars or members, to maintain the reinforcement in shape and in position within the form to comply with permissible variations in 8.1. The exposure of the ends of longitudinals, stirrups, or spacers that have been used to position the cages during the placement of the concrete shall not be a cause for rejection.

8.3 *Joint Reinforcement*—In all pipe 900 mm or larger in diameter either the bell or the spigot of the joint shall contain circumferential reinforcement.

8.3.1 For single-cage pipe, joint reinforcement shall be at least equal in area to that required for an equivalent length of pipe wall.

8.3.2 For double-cage and triple-cage pipe, joint reinforcement shall be at least equal in area to that required for an equivalent length of the outer circular cage if placed in the bell,

or at least equal in area to that required for an equivalent length of the inner circular cage if placed in the spigot.

9. Joints

9.1 The joints shall be of such design and the ends of the concrete pipe sections so formed that the pipe can be laid together to make a continuous line of pipe compatible with the permissible variations given in Section 12.

10. Manufacture

10.1 *Mixture*—The aggregates shall be sized, graded, proportioned, and mixed with such proportions of cementitious materials and water as will produce a homogeneous concrete mixture of such quality that the pipe will conform to the test and design requirements of this specification. All concrete shall have a water-cementitious materials ratio not exceeding 0.53 by weight. Cementitious materials shall be as specified in 6.2 and shall be added to the mix in a proportion not less than 280 kg/m³ unless mix designs with a lower cementitious materials content demonstrate that the quality and performance of the pipe meet the requirements of this specification.

10.2 *Curing*—Pipe shall be subjected to any one of the methods of curing described in 10.2.1 to 10.2.4, or to any other method or combination of methods approved by the owner, that will give satisfactory results. The pipe shall be cured for a sufficient length of time so that the specified D-load is obtained when acceptance is based on 5.1.1 or so that the concrete will develop the specified compressive strength at 28 days or less when acceptance is based on 5.1.2.

10.2.1 *Steam Curing*—Pipe may be placed in a curing chamber, free from outside drafts, and cured in a moist atmosphere maintained by the injection of steam for such time and such temperature as may be needed to enable the pipe to meet the strength requirements. The curing chamber shall be so constructed as to allow full circulation of steam around the entire pipe.

10.2.2 *Water Curing*—Concrete pipe may be water-cured by covering with water-saturated material or by a system of perforated pipes, mechanical sprinklers, porous hose, or by any other approved method that will keep the pipe moist during the specified curing period.

10.2.3 The manufacturer may, at his option, combine the methods described in 10.2.1 to 10.2.4 as long as the required concrete compressive strength is attained.

10.2.4 A sealing membrane conforming to the requirements of Specification C 309 may be applied and should be left intact until the required strength requirements are met. The concrete at the time of application shall be within 6°C of the atmospheric temperature. All surfaces shall be kept moist prior to the application of the compounds and shall be damp when the compound is applied.

11. Physical Requirements

11.1 *Test Specimens*—The specified number of pipe required for the tests shall be furnished without charge by the manufacturer, shall be selected at random by the owner, and shall be pipe that would not otherwise be rejected under this specification. The selection shall be made at the point or points designated by the owner when placing the order.

11.2 *Number and Type of Test Required for Various Delivery Schedules:*

11.2.1 *Preliminary Tests for Extended Delivery Schedules*—An owner of pipe, whose needs require shipments at intervals over extended periods of time, shall be entitled to such tests, preliminary to delivery of pipe as are required by the type of basis of acceptance specified by the owner in Section 5, of not more than three sections of pipe covering each size in which he is interested.

11.2.2 *Additional Tests*—After the preliminary tests described in 11.2.1, an owner shall be entitled to additional tests at such times as the owner may deem necessary, provided that the total number of pipe tested (including preliminary tests) shall not exceed one pipe or 1 %, whichever is the greater, of each size of pipe delivered.

11.3 *External Load Crushing Strength:*

11.3.1 The load required to produce a 0.3-mm crack of the ultimate load, as determined by the three-edge-bearing method described in Test Methods C 497M shall be not less than that prescribed in Table 1 for each respective class of pipe. Pipe that have been tested only to the formation of a 0.3-mm crack and that meet the 0.3-mm crack load requirements shall be accepted for use.

NOTE 2—As used in this specification, the 0.3-mm crack is a test criterion for pipe under load in a three-edge bearing test and is not intended as an indication of overstressed or failed pipe under installed conditions.

11.3.2 *Retests of Pipe Not Meeting the External Load Crushing Strength Requirements*—Pipe shall be considered as meeting the strength requirements when all test specimens conform to the strength requirements. Should any of the test specimens fail to meet the strength requirements, the manufacturer shall be allowed to retest on two additional specimens for each specimen that failed, and the pipe shall be acceptable only when all of the retest specimens meet the strength requirements.

CONCRETE TESTING

11.4 *Type of Specimen*—Compression tests determining concrete compressive strength may be made on either standard rodded concrete cylinders or concrete cylinders compacted and cured in like manner as the pipe, or on cores drilled from the pipe.

11.5 *Compression Testing of Cylinders:*

11.5.1 *Cylinder Production*—Cylinders shall be prepared in accordance with Section 11 of Test Methods C 497M.

11.5.2 *Number of Cylinders*—Prepare no fewer than five test cylinders from a group (one day's production) of pipe sections.

11.5.3 *Acceptability on the Basis of Cylinder Test Results:*

11.5.3.1 When the compressive strengths of all cylinders tested for a group are equal to or greater than the required concrete strength, the compressive strength of concrete in the group of pipe sections shall be accepted.

11.5.3.2 When the average compressive strength of all cylinders tested is equal to or greater than the required concrete strength, and not more than 10 % of the cylinders tested have

a compressive strength less than the required concrete strength, and no cylinder tested has a compressive strength less than 80% of the required concrete strength, then the group shall be accepted.

11.5.3.3 When the compressive strength of the cylinders tested does not conform to the acceptance criteria stated in 11.5.3.1 or 11.5.3.2, the acceptability of the group shall be determined in accordance with the provisions of 11.6.

11.6 *Compression Testing of Cores:*

11.6.1 *Obtaining Cores*—Cores shall be obtained and prepared in accordance with Section 6 of Test Methods C 497M.

11.6.2 *Number of Cores*—One core shall be taken from a pipe section selected at random from each day's production run of a single concrete strength.

11.7 *Acceptability on the Basis of Core Test Results:*

11.7.1 When the compressive strength of a core tested for a group of pipe sections is equal to or greater than the required concrete strength, the compressive strength of the concrete for the group is acceptable.

11.7.2 If the compressive strength of the core tested is less than the required concrete strength, the pipe section from which that core was taken may be recored. If the compressive strength of the recore is equal to or greater than the required concrete compressive strength, the compressive strength of the concrete for the group is acceptable.

11.7.3 If the compressive strength of the recore is less than the required concrete strength, the pipe section from which the core was taken shall be rejected. Two pipe sections from the remainder of the group shall be selected at random and one core shall be taken from each pipe section. If the compressive strength of both cores is equal to or greater than the required concrete compressive strength, the concrete compressive strength of the remainder of the group shall be acceptable. If the compressive strength of either of the two cores tested is less than the required concrete compressive strength, then the remainder of the group shall be either rejected or, at the option of the manufacturer, each pipe section of the remainder shall be cored and accepted individually, and any of the pipe sections that have a core with less than the required concrete compressive strength shall be rejected.

11.8 *Plugging Core Holes*—Core holes shall be plugged and sealed by the manufacturer in a manner such that the pipe section will meet all of the requirements of this specification. Pipe sections so plugged and sealed shall be considered satisfactory for use.

11.9 *Absorption*—The absorption of a sample from the wall of the pipe, as determined in accordance with Test Methods C 497M, shall not exceed 9 % of the dry mass for Test Method A or 8.5 % for Test Method B. Each Test Method A sample shall have a minimum mass of 1.0 kg, shall be free of visible cracks, and shall represent the full wall thickness of the pipe. When the initial absorption sample from a pipe fails to conform to this specification, the absorption test shall be made on another sample from the same pipe and the results of the retest shall be substituted for the original test results.

11.10 *Retests of Pipe*—When not more than 20 % of the concrete specimens fail to pass the requirements of this

specification, the manufacturer may cull the project stock and may eliminate whatever quantity of pipe desired and shall mark those pipe so that they will not be shipped. The required tests shall be made on the balance of the order and the pipe shall be accepted if they conform to the requirements of this specification.

11.11 *Test Equipment*—Every manufacturer furnishing pipe under this specification shall furnish all facilities and personnel necessary to carry out the tests described in Test Methods C 497M.

12. Permissible Variations

12.1 *Internal Dimensions*—The internal dimensions of arch pipe shall not vary more than $\pm 2\%$ from the internal dimensions shown in Fig. 1. Variation shall be normally determined by measuring the span and rise. When measurement of other dimensions is necessary, templates constructed to maximum and minimum sizes shall be used.

12.2 *Wall Thickness*—The wall thickness shall not vary more than shown in the design or specified wall by more than $\pm 5\%$ or 5 mm whichever is greater. A specified wall thickness that is more than required in the design is not cause for rejection. Pipe having localized variations in wall thickness exceeding those specified above shall be accepted if the three-edge-bearing strength and minimum steel cover requirements are met.

12.3 *Length of Two Opposite Sides*—Variations in the laying length of two opposite sides of the pipe shall not be more than 6 mm for all sizes through 600-mm internal equivalent diameter, and not more than 10 mm/m of internal equivalent diameter for all sizes larger with a maximum of 16 mm in any length of pipe through 2100-mm internal equivalent diameter, and a maximum of 19 mm for 2250-mm internal equivalent diameter or larger, except where beveled-end pipe for laying on curves is specified by the owner.

12.4 *Length of Pipe*—The underrun in length of a section of pipe shall be not more than 10 mm/m with a maximum of 13 mm in any length of pipe.

12.5 *Position or Area of Reinforcement:*

12.5.1 *Position*—The maximum variation in the position of a line of circumferential reinforcement shall be $\pm 10\%$ of the wall or ± 13 mm, whichever is the greater. Pipes having variations in the position of a line of circumferential reinforcement exceeding those specified above shall be accepted if the three-edge-bearing strength requirements obtained on a representative specimen are met. In no case, however, shall the cover over the circumferential reinforcement be less than 13 mm. The preceding minimum cover limitation does not apply to the mating surfaces of the joint.

12.5.2 *Area of Reinforcement*—Reinforcement will be considered as meeting the design requirements if the area, computed on the basis of nominal area of the wire or bars used, equals or exceeds the requirements of 7.2 or 7.3. Actual area of the reinforcing used may vary from the nominal area according to permissible variations of the standard specifications for the reinforcing.

13. Repairs

13.1 Pipe may be repaired, if necessary, because of imperfections in manufacture or damage during handling and will be acceptable if, in the opinion of the owner, the repaired pipe conforms to the requirements of this specification.

14. Inspection

14.1 The quality of materials, the process of manufacture, and the finished pipe shall be subject to inspection and approval by the owner.

15. Rejection

15.1 Pipe shall be subject to rejection on account of failure to conform to any of the specification requirements. Individual sections of pipe may be rejected because of any of the following:

15.1.1 Fractures or cracks passing through the wall, except for a single end crack that does not exceed the depth of the joint,

15.1.2 Defects that indicate mixing and molding, not in compliance with 10.1, or surface defects indicating honey-combed or open texture that would adversely affect the function of the pipe.

15.1.3 The ends of the pipe are not normal to the walls and center line of the pipe, within the limits of variations given in 12.3 and 12.4.

15.1.4 Damaged or cracked ends, where such damage would prevent making a satisfactory joint, and

15.1.5 Any continuous crack having a surface width of 0.3 mm or more and extending for a length of 300 mm or more, regardless of position in the wall of the pipe. See Note 2.

16. Product Marking

16.1 The following information shall be legibly marked on each section of pipe:

16.1.1 The pipe class and specification designation,

16.1.2 The date of manufacture,

16.1.3 The name or trademark of the manufacturer, and

16.1.4 Identification of plant.

16.2 Markings shall be indented on the pipe section or painted thereon with waterproof paint.

17. Keywords

17.1 arch pipe; culvert; D-load; reinforced concrete; sewer pipe; storm drain

ASTM International takes no position respecting the validity of any patent rights asserted in connection with any item mentioned in this standard. Users of this standard are expressly advised that determination of the validity of any such patent rights, and the risk of infringement of such rights, are entirely their own responsibility.

This standard is subject to revision at any time by the responsible technical committee and must be reviewed every five years and if not revised, either reapproved or withdrawn. Your comments are invited either for revision of this standard or for additional standards and should be addressed to ASTM International Headquarters. Your comments will receive careful consideration at a meeting of the responsible technical committee, which you may attend. If you feel that your comments have not received a fair hearing you should make your views known to the ASTM Committee on Standards, at the address shown below.

This standard is copyrighted by ASTM International, 100 Barr Harbor Drive, PO Box C700, West Conshohocken, PA 19428-2959, United States. Individual reprints (single or multiple copies) of this standard may be obtained by contacting ASTM at the above address or at 610-832-9585 (phone), 610-832-9555 (fax), or service@astm.org (e-mail); or through the ASTM website (www.astm.org).