



Standard Test Method for Extension-Recovery and Adhesion of Latex Sealants¹

This standard is issued under the fixed designation C 736; the number immediately following the designation indicates the year of original adoption or, in the case of revision, the year of last revision. A number in parentheses indicates the year of last reapproval. A superscript epsilon (ϵ) indicates an editorial change since the last revision or reapproval.

^{ε1} NOTE—Section 3.1 was updated editorially in May 2006.

1. Scope

1.1 This test method covers a laboratory procedure for the determination of the extension-recovery and adhesion of latex sealants.

1.2 The values stated in SI (metric) units are to be regarded as the standard. The values given in parentheses are provided for information only.

1.3 *This standard does not purport to address all of the safety concerns, if any, associated with its use. It is the responsibility of the user of this standard to establish appropriate safety and health practices and determine the applicability of regulatory limitations prior to use.*

NOTE 1—A related ISO standard is **ISO 7389**. Users should compare to determine how the ISO standard differs from this test method.

2. Referenced Documents

2.1 *ASTM Standards:*²

C 717 Terminology of Building Seals and Sealants

C 1375 Guide for Substrates Used in Testing Building Seals and Sealants

2.2 *ISO Standard:*³

ISO 7389 Building Construction—Sealants—Determination of Elastic Recovery

3. Terminology

3.1 *Definitions*—Refer to Terminology **C 717** for definitions of the terms used in this test method.

4. Summary of Test Method

4.1 A joint of prescribed dimensions, between glass and aluminum plates is filled with the sealant. After an aging

period, the joint width is increased 25 %, the force is removed, and the specimen is permitted to recover. The amount of recovery and the percent of adhesion loss are measured.

5. Significance and Use

5.1 This test method evaluates the performance of a latex sealant in joints subjected to a limited amount of extension.

6. Apparatus

6.1 *Extension Machine* that can be operated at a steady rate of 12.7 mm/min (0.5 in./min) and held at constant extension for 5 min.

6.2 *Aluminum Alloy Plates*, six, anodized, 6.4 by 25.4 by 76.2 mm ($\frac{1}{4}$ by 1 by 3 in.). Plates shall conform to Guide **C 1375**.

6.3 *Glass Plates*, six, 6.4 by 25.4 by 76.2 mm ($\frac{1}{4}$ by 1 by 3 in.). Plates shall conform to Guide **C 1375**.

6.4 *U Shaped Spacers*, six, as shown in **Fig. 1(a)** made of a rigid, nonadhering material such as polyethylene, TFE-fluorocarbon, or release-covered metal.

6.5 *Metal C Clamps*, twelve.

6.6 *Circulating Air Oven*, capable of maintaining $50 \pm 1^\circ\text{C}$ ($122 \pm 2^\circ\text{F}$).

7. Sampling

7.1 Take the sealant to be tested directly from the container as commercially supplied by the manufacturer.

8. Test Specimens

8.1 Prepare a test specimen as follows: Apply a bead of sealant, 12.7 by 12.7 by 50.8 mm ($\frac{1}{2}$ by $\frac{1}{2}$ by 2 in.) between parallel glass and anodized aluminum plates as shown in **Fig. 1(b)**, using rigid, nonadhering spacer bars. Use the C-clamps to hold the test assembly during the filling and subsequent curing and handling of the specimens.

8.2 Prepare five additional specimens as described in **8.1**.

NOTE 2—The glass and aluminum plates shall be cleaned with methyl ethyl ketone or similar solvent followed by a thorough cleaning with a detergent solution and a final rinse with distilled or deionized water and then air dried prior to assembly of specimens.

¹ This test method is under the jurisdiction of ASTM Committee C24 on Building Seals and Sealants and is the direct responsibility of Subcommittee C24.30 on Adhesion.

Current edition approved May 1, 2006. Published May 2006. Originally approved in 1972. Last previous edition approved in 2000 as C 736 – 00.

² For referenced ASTM standards, visit the ASTM website, www.astm.org, or contact ASTM Customer Service at service@astm.org. For *Annual Book of ASTM Standards* volume information, refer to the standard's Document Summary page on the ASTM website.

³ Available from the American National Standards Institute, 11 W. 42nd St., 13th Floor, New York, NY 10036.

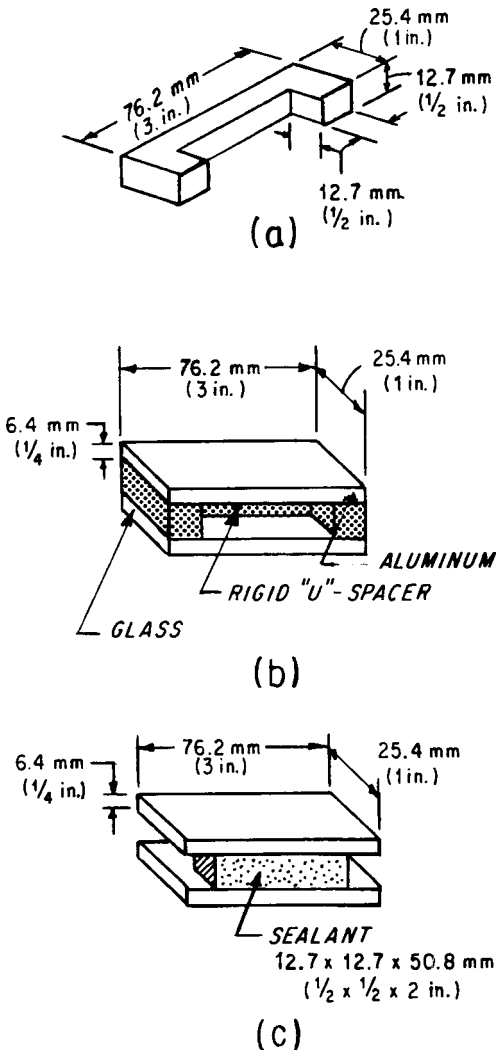


FIG. 1 Preparation of Test Specimen

TABLE 1 Precision and Bias Data—Percent Recovery

| Material | Average Recovery, % | Estimated Standard Deviation (Within Laboratory) | Estimated Standard Deviation (Between Laboratory) | Repeatability (Internal) | Reproducibility |
|----------|---------------------|--|---|--------------------------|-----------------|
| G1 | 100.00 | 0.00 | 0.00 | 0.00 | 0.00 |
| G2 | 91.67 | 14.43 | 20.41 | 40.85 | 57.77 |
| G3 | 100.00 | 0.00 | 0.00 | 0.00 | 0.00 |

TABLE 2 Precision and Bias Data—Percent Adhesion Loss

| Material | Average Adhesion Loss, % | Estimated Standard Deviation (Within Laboratory) | Estimated Standard Deviation (Between Laboratory) | Repeatability (Internal) | Reproducibility |
|----------|--------------------------|--|---|--------------------------|-----------------|
| G1 | 8.084 | 20.29 | 20.29 | 57.41 | 57.41 |
| G2 | 0.001 | 0.00 | 0.00 | 0.00 | 0.00 |
| G3 | 0.001 | 0.00 | 0.00 | 0.00 | 0.00 |

9. Conditioning

9.1 Cure the six test specimens for 7 days at $23 \pm 1^\circ\text{C}$ ($73.4 \pm 2^\circ\text{F}$) and $50 \pm 5\%$ relative humidity, then for 7 days at 50

$\pm 1^\circ\text{C}$ ($122 \pm 2^\circ\text{F}$). After the 14-day cure period condition the specimens for 2 h at $23 \pm 1^\circ\text{C}$ ($73.4 \pm 2^\circ\text{F}$) and $50 \pm 5\%$ relative humidity.

10. Procedure

10.1 Remove the spacers (Fig. 1(c)) and insert each specimen in turn in the extension machine. At the rate of 12.7 mm/min (0.5 in./min), extend the joint width 25 % to 15.9 mm (0.625 in.) and hold at this width for 5 min, meanwhile inspecting the sealant for cohesive or adhesive failure, or both.

10.2 Release the force and allow the specimen to recover. If the specimen must be removed from the machine to recover, insert a 15.9-mm (0.625-in.) spacer bar during the transfer and then immediately remove for recovery.

10.3 Allow the specimen to stand with the sealant surface uppermost undisturbed for a period of 2 h. Measure the joint width at the end of this period and determine the percent of adhesive failure to both glass and aluminum.

11. Calculation and Interpretation of Results

11.1 *Percent Recovery*—Determine the percent recovery, D , as follows:

$$D = [(A - B)/(A - C)] \times 100 \quad (1)$$

where:

A = extended joint width = 15.9 mm (0.625 in.) (by definition of procedure),

B = joint width after recovery (as measured), and

C = original joint width = 12.7 mm (0.5 in.).

11.2 *Percent Adhesive Failure*—Determine the percent adhesive failure to both glass and aluminum by measurement.

12. Report

12.1 Report for each of the six specimens, the percent recovery, percent adhesive failure to both glass and aluminum on all six specimens, and the total area of adhesive failure in square centimetres (square inches) among the six specimens.

13. Precision and Bias⁴

13.1 *Precision*—The precision calculations for this test method are based on the results of four laboratories testing three materials, each in triplicate. The results are given in Tables 1 and 2.

13.1.1 *Percent Recovery*—At 95 % confidence a variation of as much as 40.85 % can be expected within a laboratory and 57.77 % between laboratories (see Table 1).

13.1.2 *Percent Adhesive Failure*—At 95 % confidence a variation of as much as 57.41 % can be expected both within a laboratory and between laboratories (see Table 2).

13.2 *Bias*—Since there is no accepted reference material suitable for determining the bias for this test method, bias has not been determined.

14. Keywords

14.1 adhesion; latex sealant; recovery

⁴ Supporting data is available from ASTM Headquarters. Request RR:C24-1025.

ASTM International takes no position respecting the validity of any patent rights asserted in connection with any item mentioned in this standard. Users of this standard are expressly advised that determination of the validity of any such patent rights, and the risk of infringement of such rights, are entirely their own responsibility.

This standard is subject to revision at any time by the responsible technical committee and must be reviewed every five years and if not revised, either reapproved or withdrawn. Your comments are invited either for revision of this standard or for additional standards and should be addressed to ASTM International Headquarters. Your comments will receive careful consideration at a meeting of the responsible technical committee, which you may attend. If you feel that your comments have not received a fair hearing you should make your views known to the ASTM Committee on Standards, at the address shown below.

This standard is copyrighted by ASTM International, 100 Barr Harbor Drive, PO Box C700, West Conshohocken, PA 19428-2959, United States. Individual reprints (single or multiple copies) of this standard may be obtained by contacting ASTM at the above address or at 610-832-9585 (phone), 610-832-9555 (fax), or service@astm.org (e-mail); or through the ASTM website (www.astm.org).